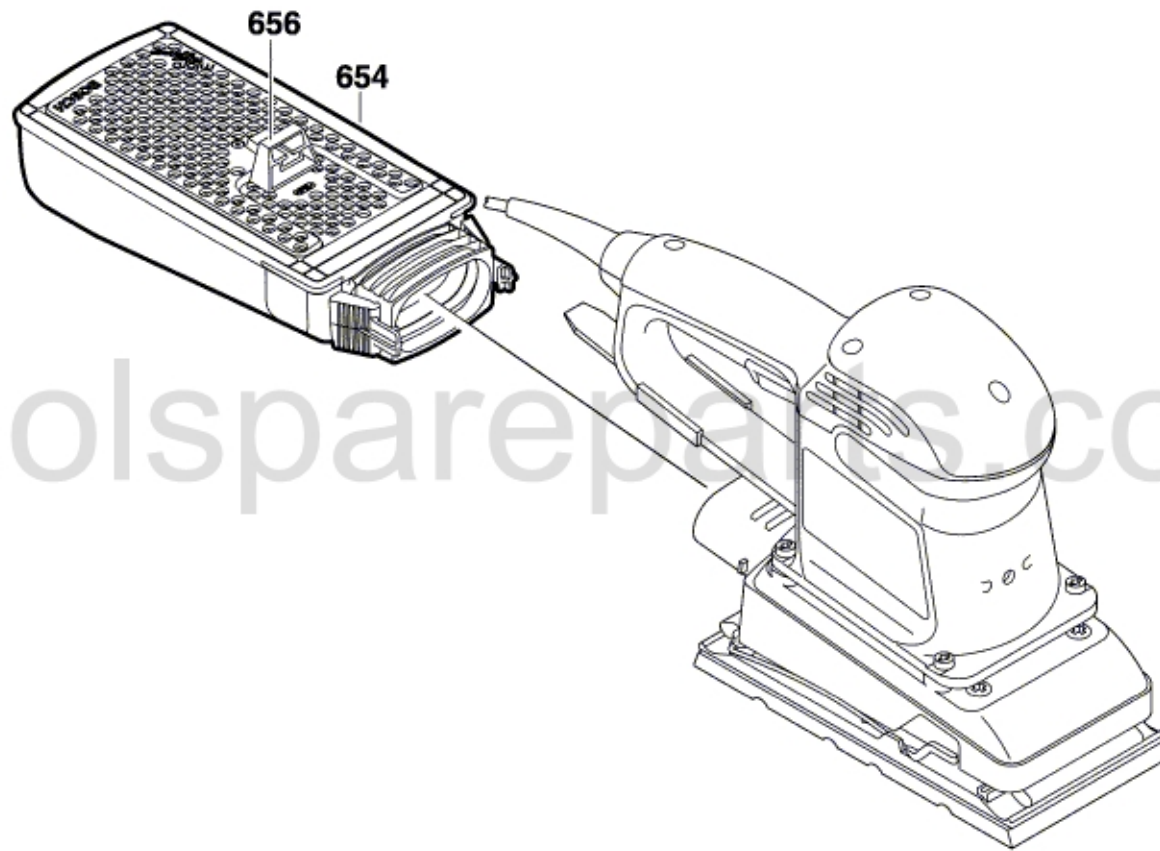


0 601 292 703

Stand } 02-07
Issue } 03-01-15

Fig./Abb. 2



toolspareparts.com.au

Änderungen vorbehalten
Modifications reserved
Modificacions reserves
Salvo modificaciones

